

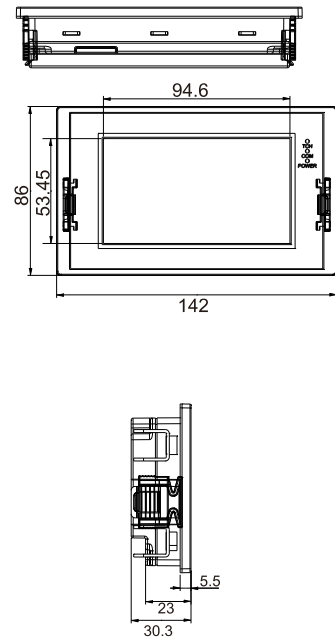
SPECIFICATIONS

OVERVIEW

| | | |
|--------------|---------------------------------|--|
| | Model | PI3043ieS-N |
| Main | OS | Linux 4.4.0 QT based |
| | Processor | Cortex A35 1.2GHz |
| | Size | 4.3" |
| Display | Screen | TFT |
| | Resolution | 480*272 |
| | Color | 16,000k colors |
| | Brightness (cd/m ²) | 300.0 |
| | Backlight | LED |
| | Backlight Lifetime | 50,000 hours |
| | Touch Panel | High precision four-wire resistive |
| Storage | Memory | 64 MB |
| | Flash | 128 MB |
| | SD Card Slot | -- |
| | USB Port | Micro USB |
| RTC | Real-time clock | Yes |
| | Calendar | Yes |
| | COM1 | CN1:RS422/RS485 CN2:RS232 CN3:RS485 |
| | COM2 | -- |
| I/O Port | COM3 | -- |
| | Ethernet | x1 |
| | CANopen | -- |
| | Wi-Fi | -- |
| | 4G LTE | -- |
| Power | Rated Power | < 5W |
| | Power Voltage | DC 24V |
| | Input range | DC 12 ~ 28V |
| Enclosure | Shell Color | Grey |
| | Shell Material | Plastic+ABS(Polycarbonate) |
| | Overall Size (mm) | 142.0W*86.0W*30.3D |
| | Mounting Size (mm) | 131.0W*78.0D |
| | Mounting Method | Panel Mount |
| | Weight (Kg) | 0.3 |
| | Working Temperature | -10 ~ 55°C |
| Environment | Storage Temperature | -20 ~ 70°C |
| | Humidity | 10 ~ 90% RH (Non-condensing) |
| | Vibration Resistance | 10 ~ 25 Hz (X, Y, Z direction 2G/30 minutes) |
| | Cooling | Air Cooling |
| Software | Programming | PIStudio |
| | Remote Access | -- |
| | Email Alarm | -- |
| | IP Camera | -- |
| | Audio Output | -- |
| | Video Player | -- |
| Certificates | IP Code | IP65 (Front panel) |
| | CE | CE Marked |
| | FCC | FCC Class A |
| | UL | -- |



DIMENSION



SOFTWARE

