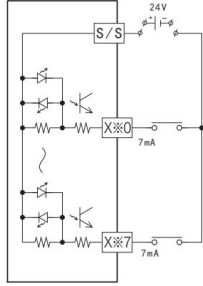
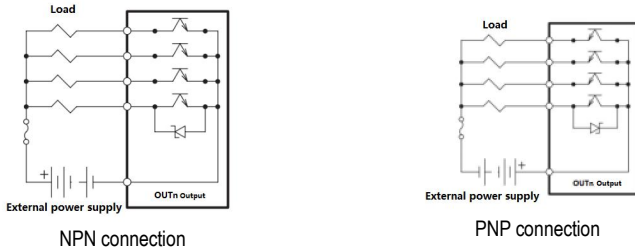
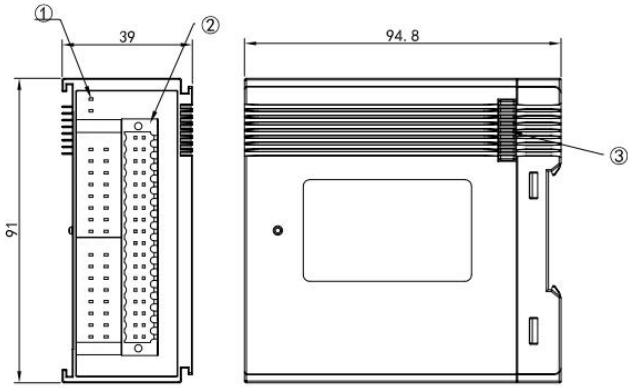


Model	Channels	Functionality	Description
LX6V-1616EXYT	32	16 inputs, 16 transistor outputs	Support NPN or PNP input, support NPN output.
LX6V-1616EXYP	32	16 inputs, 16 transistor outputs	Support NPN or PNP input, support PNP output.
LX6V-32EX	32	32 inputs	Support NPN or PNP input.
LX6V-32EYT	32	32 transistor outputs	Support NPN output.

Specification

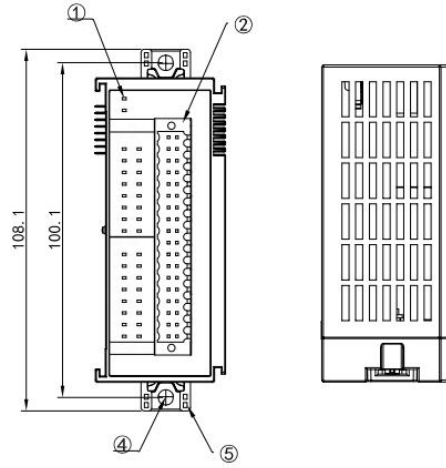
Item	Digital Input
Input Circuit Composition	 <p>NPN connection: S/S connect to 24V;</p> <p>PNP connection: S/S connect to 0V.</p> <p>Note: In the picture is NPN connection.</p>
Input Signal Voltage	DC±24V±10%
Input Signal Current	7mA/DC24V (The input current when inputting standard 24V)
Input ON Current	3.5mA above
Input OFF Current	Below 1.5mA
Input Response Time	Approx. 0.2ms
Input Signal Form	Contact input, support NPN, PNP input.
Circuit Insulation	Transformer or optocoupler isolation.
Action Display	When inputting ON, LED lights up.

Item	Transistor Output	
Output Circuit Composition	 <p>NPN connection</p> <p>PNP connection</p>	
External Power Supply	DC 5 to 30V	
Circuit Insulation	Transformer isolation	
Action Display	LED lights up when driving	
Maximum load	Resistance Load	0.25A/1 point, 8A/Module
	Inductive Load	6W/DC24V
	Lamp Load	0.75W/DC24V
Output Derating	When working at 55°C, the output current of ON at the same time is derated to 50% (that is, the output current of 32 channels does not exceed 4A)	
Open Circuit Leakage Current	0.1mA/DC30V	
Minimum Load	--	
Response	OFF→ON	Approx. 0.2ms
Time	ON→OFF	Approx. 0.2ms



Rail Installation dimension diagram

① I/O LED; ② I/O Terminal; ③ Expansion module interface;



Screw hole installation dimension diagram

④ Mounting hole*2 ($\Phi=4.5$); ⑤ DIN rail fastener