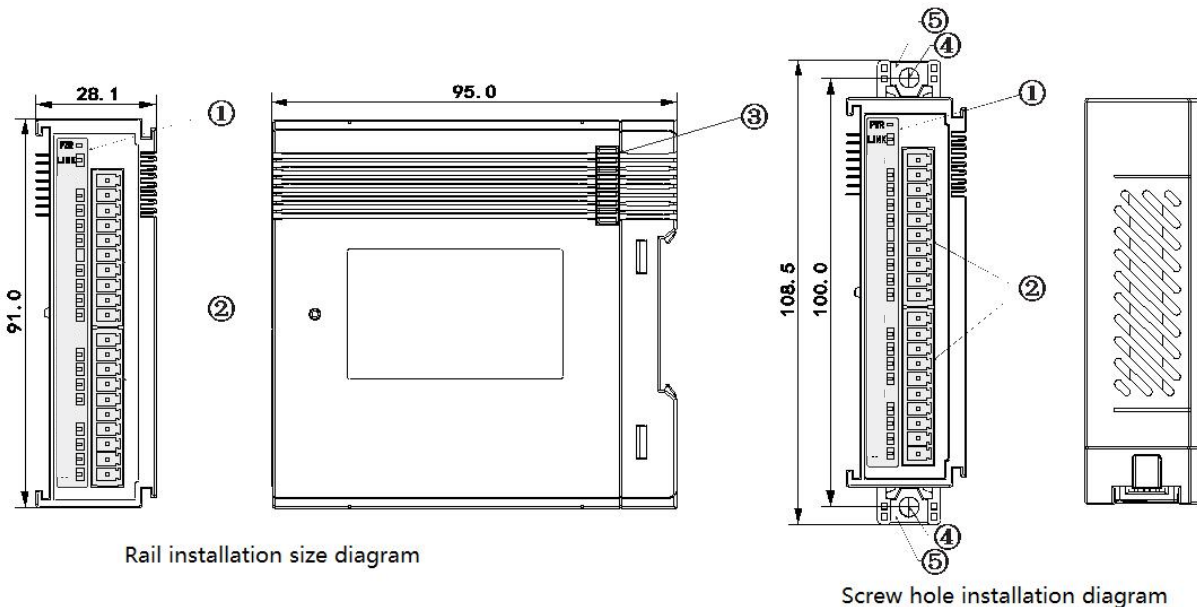


Model	Channels	Functionality	Description
LX6V-4AD	4	4 inputs	4-channel analog input module.
LX6V-4DA	4	4 outputs	4-channel analog output module.

Specification

Item	Analog Input
Input Circuit Composition	
Input Mode	Voltage/current
Input Channel	4
Resolution	1/16384 (14bit)
Voltage Input Range	-10V to 10V
Voltage Input Impedance	190kΩ
Current Input Range	4mA-20mA, -20mA-20mA
Current Input Impedance	250Ω
Comprehensive Precision	±1%
Conversion Speed	1ms
Power Supply	Interface power supply, DC24V±10%, 55mA

Item	Analog Output
Output Circuit Composition	
Output Mode	Voltage/current
Output Channel	4
Resolution	1/20,000, hardware can meet 16bit resolution
Voltage Output Range	-10V-10V
Voltage Output Load	≥2KΩ
Voltage Output Diagnosis	Support non-zero voltage output short-circuit detection with about 14mA overcurrent protection
Current Output Range	0-20mA, 4-20mA
Current Output Load	≤ 500Ω
Current output Diagnosis	Support non-zero current output open circuit detection
Comprehensive Precision	±1%
Conversion Speed	Approximately 1ms
Power Supply	Interface power supply, DC24V±10%, 125mA



① I/O LED; ② I/O terminal; ③ Expansion module interface; ④ Installation hole: 2 (Φ4.5) ; ⑤ DIN rail fastener