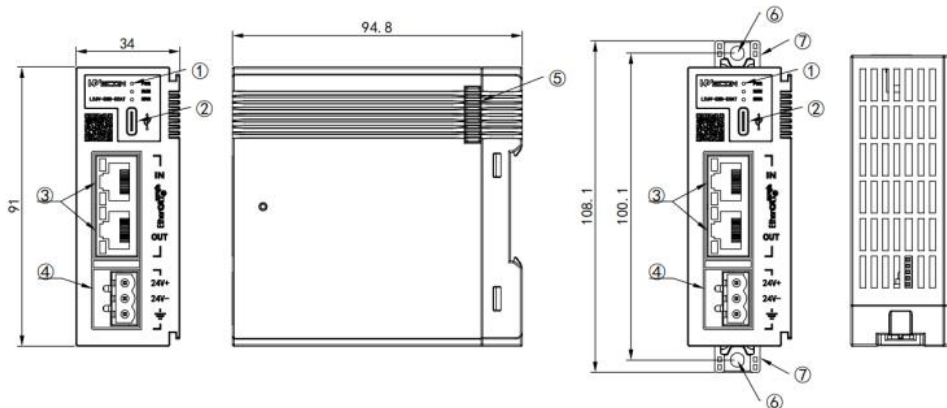


LX6V-EMB-ECAT communication modules support EtherCAT communication, with automatic scanning function, and adapt to our company and third-party EtherCAT master station equipment: PLC, PCB, etc. Features:

- Compact structure and convenient installation;
- Response at microseconds of high-speed bus;
- The maximum number of expansion modules is 32, and the total power of modules $\leq 48W$.

Specification

Item	LX6V-EMB-ECAT	LX6V-EMC-ECAT
Rated Input Voltage	DV 24V \pm 10%@100mA (excluding expansion module)	
Communication Interface	RJ45 \times 2, EtherCAT communication protocol with performance 100Mbps; IN interface is EtherCAT input port; OUT interface is an EtherCAT output port, which is used for connecting the subsequent EtherCAT slave;	
Transmission Distance	Length of communication line between two nodes $\leq 100m$	
Transmission Medium	Category 5E (cat 5e) cable or above	
Single AP Process Data	Maximum input and output 1024 bytes	
Synchronous Period	Minimum 125 μ s	
Allowable Instantaneous Power Outage Time	10ms	
Impulse Current	$\leq 45A$ (with maximum module load)	
Power Protection	Anti-reverse connection protection, overcurrent protection and surge absorption	
Maximum Number of Expansion Modules	16	32
Firmware Upgrade	Support	



Serial Number	Interface	Function Definition			
1	Signal Indicator	PWR	Power indicator	Off	No power supply
				On	When the power supply is on
		RUN	Running indicator	Off	ECT module is in INIT status
				Flashing (white)	ECT module is in Pre-Op status
				Single flash (white)	ECT module is in Safe-Op status
		ERR	Communication fault indicator	Normally on (white)	ECT module is in Operational status
				Off	EtherCAT communication is in normal status
				Flashing (Red)	EtherCAT communication receives status transition instructions that cannot be executed
				Single flash (red)	Network disconnection, ECT module synchronization error
		Normally on (Red)	Watchdog error occurred in EtherCAT communication		
2	USB Communication Interface (Type-C)	Used for single board software upgrade			
3	EtherCAT Interface	IN: EtherCAT input port OUT: EtherCAT output interface			
4	24V power Input Interface	Module power input terminal			
5	Expansion Module Interface	Connect LX6V Series expansion module			
6	Mounting Hole	2 places, $\phi 4.5$			
7	DIN Rail Fastener				